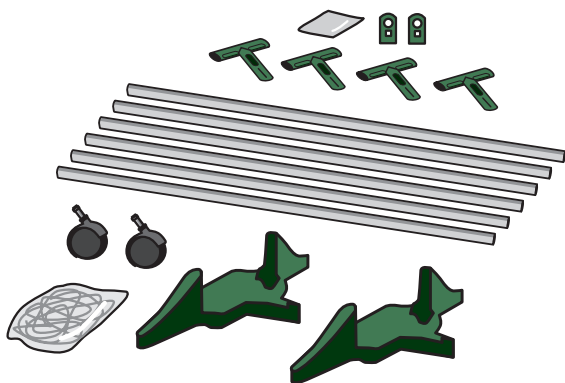
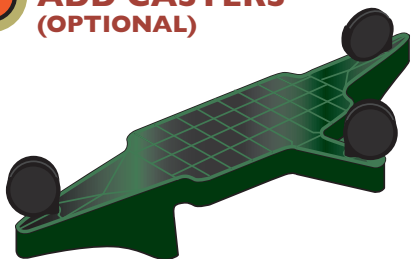


1 GETTING STARTED



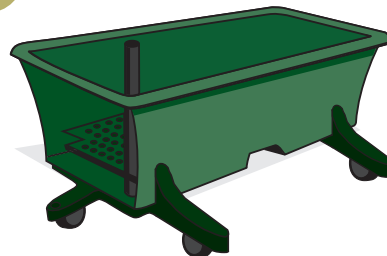
The EarthBox® Staking System includes 2 Casters, 2 Outriggers, 6 Identical Aluminum Tubes, 4 T-Connectors, 2 Clips, Netting and Hardware. Make sure all components are handy before beginning your assembly. No tools are required.

2 ADD CASTERS (OPTIONAL)



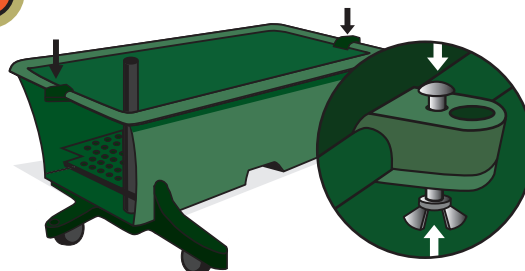
If casters are desired, turn outriggers upside-down and insert casters into sockets. You will need a total of 6 casters, 4 of which were included with your original EarthBox Kit.

3 ATTACH OUTRIGGERS



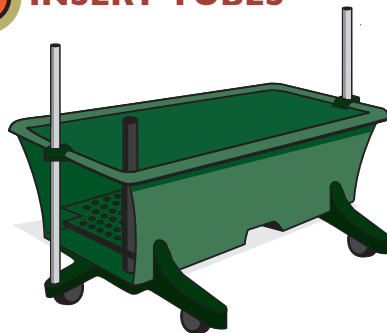
Place Earthbox onto the outriggers, aligning pins with the caster sockets on the bottom of the Earthbox. If the Earthbox is empty, it may be easier to turn the box upside down to attach the outriggers.

4 ATTACH CLIPS



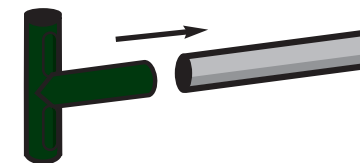
Attach clips between the ribs under the lip in the middle of each end of the EarthBox, using the bolts and wing nuts provided in the kit. Do not over-tighten.

5 INSERT TUBES



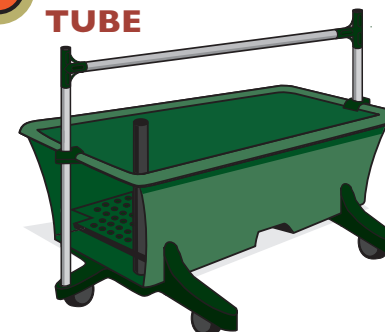
Tubes are identical in length. Insert a tube through the hole in the clip and into the outrigger. Repeat for the clip on the opposite end of the box.

6 ADD T-CONNECTORS TO HORIZONTAL TUBE



Slide the long leg of a T-connector onto each end of tube to be used as a horizontal support.

7 ATTACH HORIZONTAL TUBE



Slide T-connectors at the ends of the horizontal assembly onto the vertical tubes.

8 INSERT VERTICAL TUBES



Insert two tubes vertically onto top end of T-connectors.

Continued on flap

9 FINAL HORIZONTAL ASSEMBLY



Repeat Steps 6 and 7.

10 ADD NETTING



Hang netting over top T-connectors. Tie netting to top tube at equal intervals. Tie netting to tubes at even intervals, starting at the top and working down.



STAKING SYSTEM

Instructions Inside

The EarthBox
1300 Meylert Avenue
Scranton, PA 18509
www.earthbox.com

To place an order:
(888) 229-0186 24 Hours / 7 days

Customer Service:
(800) 821-8838 Mon-Fri 9am-5pm

© 2006 The EarthBox